

## ***LL-MS SERIES 400W***

### ***Explosion Proof Adjustable Motion Sensor***

#### **Ratings and Certifications**

- Class I, Division 1, Groups B, C, D
- Class I, Division 2, Groups B, C, D
- Class I, Zones 1 & 2, Groups IIB+H2, IIA
- Class II, Division 1, Groups E, F, G
- Class II, Division 2, Groups E, F, G
- Class III, Divisions 1 & 2
- Ex db IIC Gb
- Ex tb IIC Gb Db IP66
- NEMA 3, 4, 4X, 7 (B, C, D), 9 (E, F, G)

#### **Specifications**

**Listing: United States, Canada, IECEx, ATEX**

**10' To 20' Mounting Height**

**Dimensions: 7"-W x 5"-H x 9"-D**

**Detection: Motion**

**Detection Coverage: 15` x 15` (Mounted @ 16`)**

**Tilt Angles: -90° to +30° - Elevation**

**Reach: 6.5` to 32` - Adjustable**

**System Voltage: 120V, 208V, 220V, or 277V AC**

**Maximum Wattage: 400W**

**Output Hold Time: 0.5 Secs to 15 Mins (Adjustable)**

**Mains Frequency: 50/60 Hz**

**Ambient Temperature Range: -22°F to +140°F**

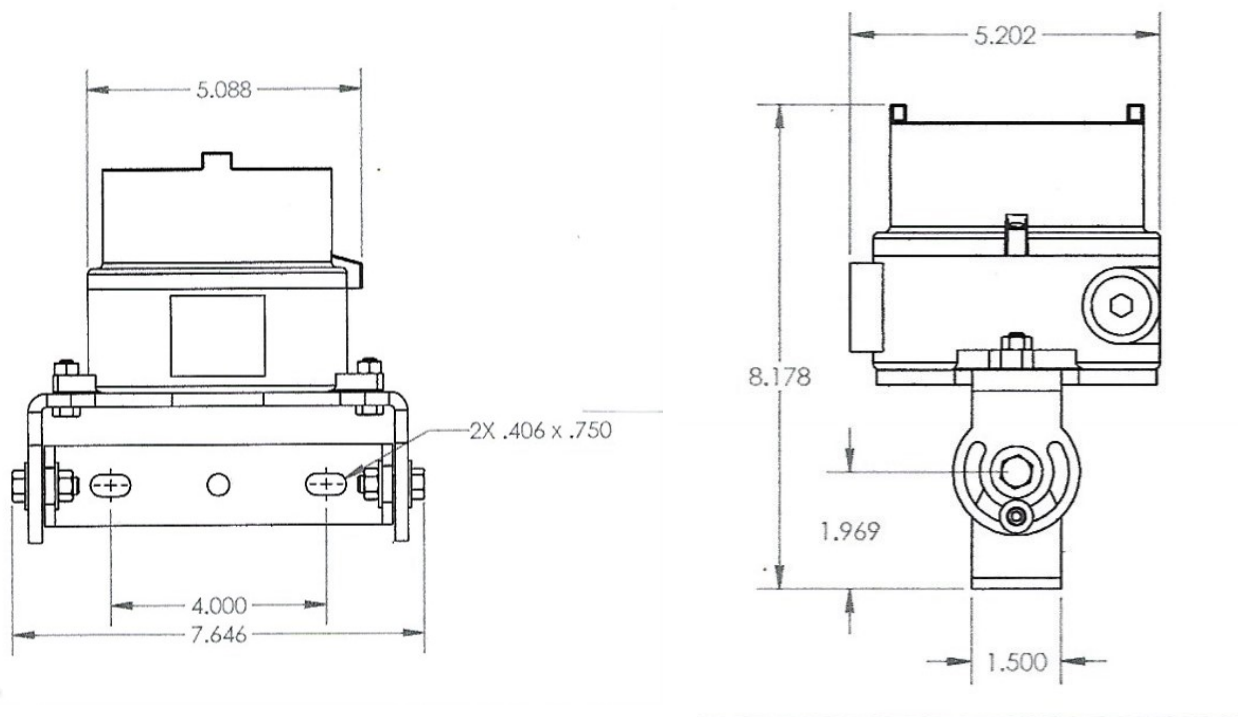
**Radiated Frequency: 5.8 GHz**

**Wiring: Flying Leads**

**Timer**



## Dimensions



## Ordering information

Part number: **LL-EXP-MS-N4X-AT-HV- VOLTAGE-OPERATION-HUB SIZE**

Example: **LL-EXP-MS-N4X-AT-HV-120V-NO-0.75IN**

--	--	--

VOLTAGE		OPERATION		HUB SIZE	
120V	-120V	Normally Open	-NO	3/4 IN	-0.75IN
208V	-208V	Normally Closed	-NC	1/2 IN	-0.5IN
220V	-220V				
240V	-240V				
277V	-277V				