

EXH Series Low Wattage Linear Hazardous Location LED fixture

Ratings and Certifications

- Class I, Division 2, Groups A,B,C,D
- Class II, Division 1, Groups E,F,G
- Class II, Division 2, Groups E,F,G
- Class III
- UL844 Hazardous Location
- UL1598 Wet Location
- UL1598A Marine Outside Type
- CSA C22.2 No. 137, No. 250.0
- IP66/Nema 4X
- ABS

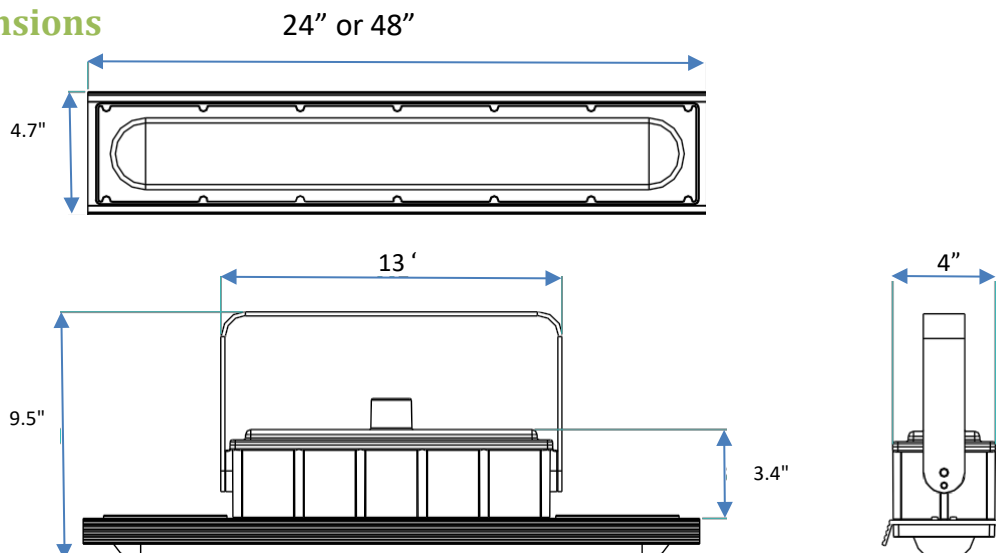
Typical Applications

Refineries, Pumping stations, Mines, Chemical plants, Marine vessels, Power stations

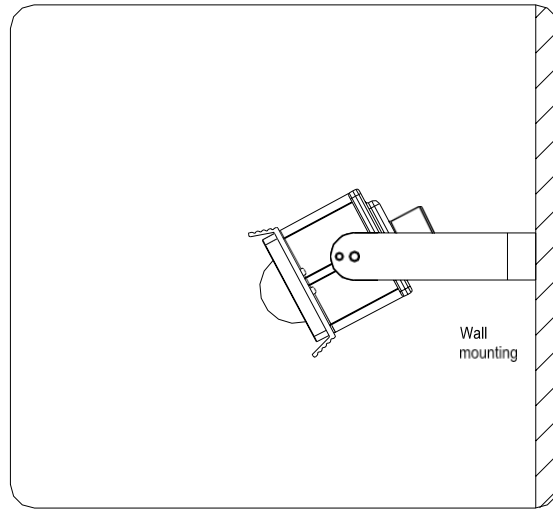
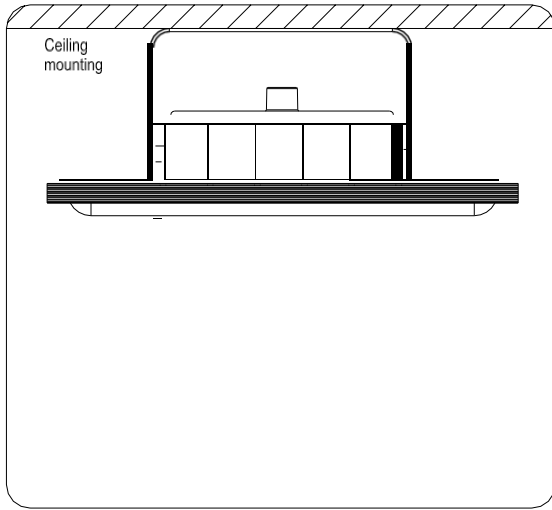
Specifications

- Input voltage 100-277V / 200-480V
- Wattages: 40W/60W/80W
- Operating temperature: -40F to 140F (-40C to 60C)
- Beam Angle: 120°
- High efficacy: up to 140lm/W
- L70 > 150,000 hours
- CRI > 70
- Surface mount and wall mount installations
- Various optics for uniform illumination
- Copper free marine grade aluminum
- High vibration resistance
- 50/60Hz
- Power factor >0.90
- Optional dimming driver

Dimensions

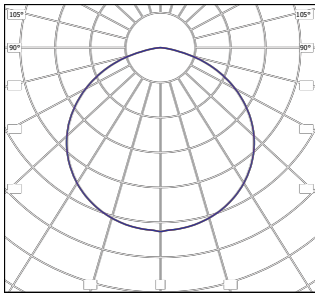


Mounting Details



Photometrics

Light Distribution Pattern



120°

Wattage	Lumens	Length
40W	5600lm	2FT&4FT
60W	8400lm	4FT
80W	11200	4FT

Ordering information

Series	Wattage	Voltage	Color Temp	Beam Angle	Mounting	Options
EXH	40W(2FT)	V1=100-277V	5000K (STD)	120° (STD)	YK=YOKE(STD)	D=0-10V DIMMING
	40W (4FT)	V2=200-480V				
	60W		4000K		WA=WALL ARM	
	80W					
EXH				120°		